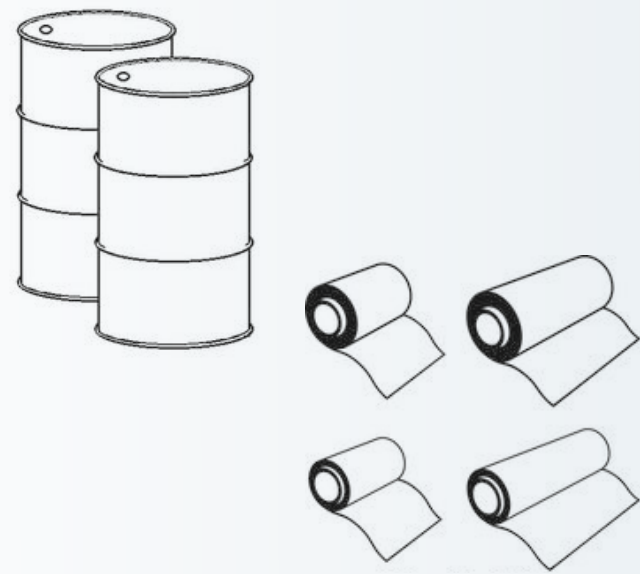


Fuel Cell System Production Steps

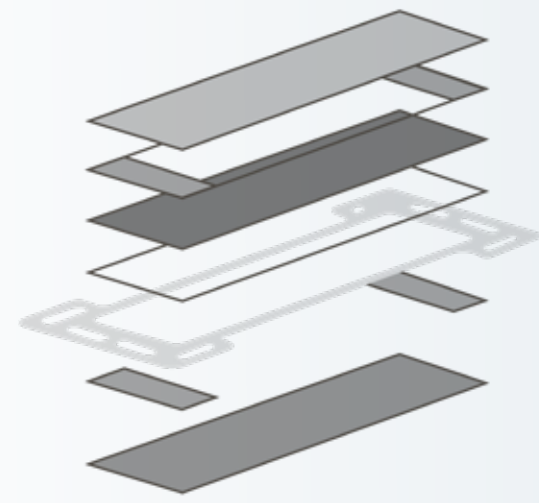
Complete Process Chain from a Single Source

Ink Mixing & Coating



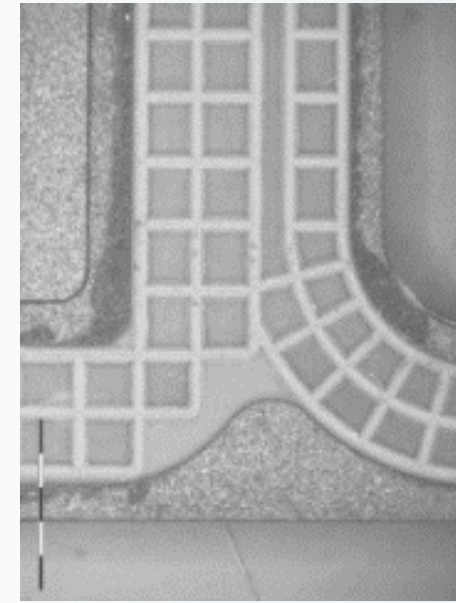
Precise mixing of various raw materials to produce a dispersion for subsequent roll coating.

Membrane Electrode Assembly (MEA)



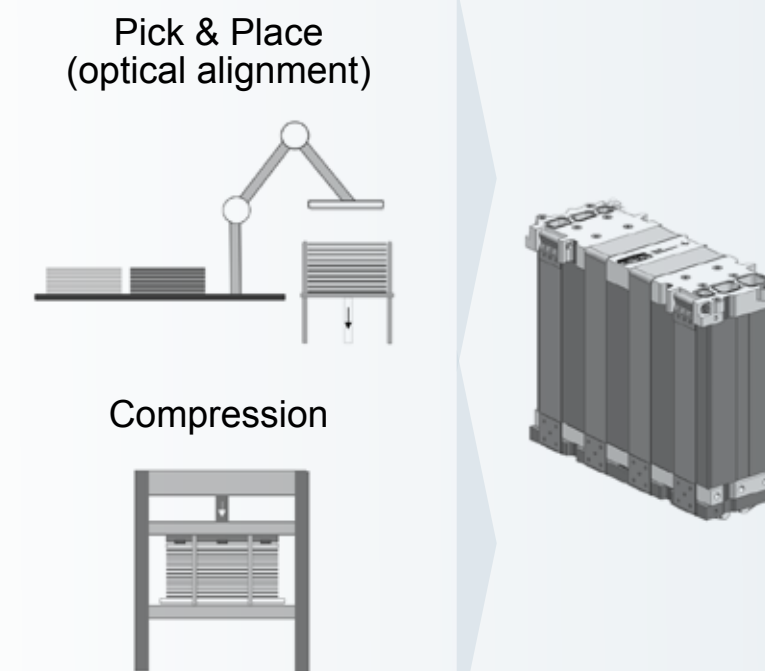
The roll-to-piece-process is highly automated with a short cycle time suitable to assemble the components of an individual cell.

Sealing



Injection molding process applies seals fully automated.

Stacking



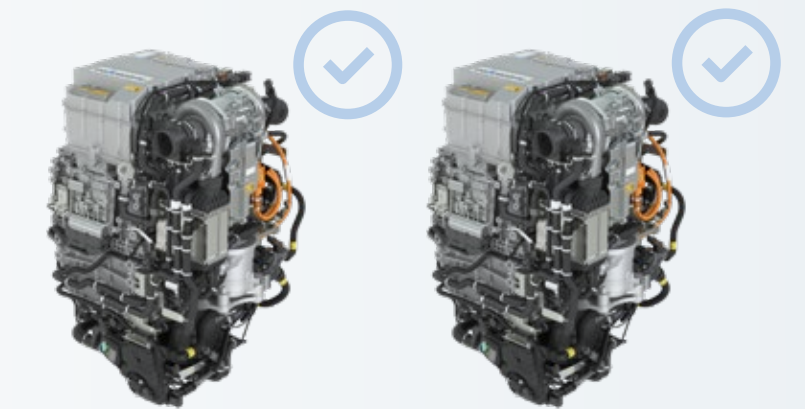
Automated stacking of the complete fuel cell stack.

Assembly



All modules of the fuel cell system are assembled according to automotive mass production standards.

Inline Quality Testing



Strict automated inspection and quality control protocol that accompanies all steps in the production process to identify and rectify faults quickly and reliably. It ensures continuous compliance with all quality requirements until the product is ready for delivery.